

## Premium Preparation 1200 mm Vegetables Processing Table with Upstand

ITEM # \_\_\_\_\_

MODEL # \_\_\_\_\_

NAME # \_\_\_\_\_

SIS # \_\_\_\_\_

AIA # \_\_\_\_\_



133068 (TLV1210PN)

Vegetables processing/  
washing table with polythene  
cutting board, 1 bowl,  
scraping hole and upstand,  
1200mm

### Short Form Specification

**Item No.** \_\_\_\_\_

50mm high worktop in 304 AISI stainless steel, 1,5mm in thickness, sound-deadened, anti-drip edges and welded corners. 1 bowl (684x303x180h mm). Integral radiused rear upstand, h=100mm with 10mm radius. All-round apron. Round section legs and feet in 304 AISI stainless steel, 50mm in diameter. N.1 Polythene cutting board and scraping hole on front.

### Main Features

- Sturdiness, stability and reliability of table accurately tested.

### Construction

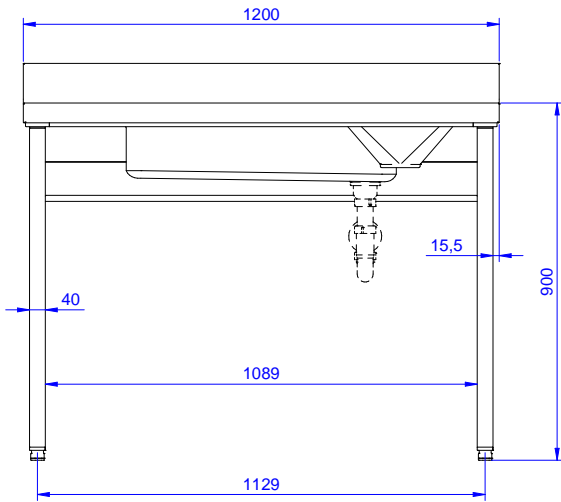
- 100 mm upstand with 10 mm radiused corner and 13 mm deep, designed to be used against a wall.
- Table can be equipped with a mobile bin with lid for waste disposal (optional accessory).
- Round section legs with feet in 304 AISI stainless steel, 50 mm in diameter, adjustable in height by +0/-40 mm.
- Table can be equipped with a set of castors as an alternative to the feet.
- Delivered in knock-down package.
- Single-pressed bowl AISI 304 stainless steel bowl with overflow pipe and drain hole.
- Wide range of taps are available to suit every need.
- Upstand back completely covered with Stainless Steel welded profile.
- Unit features a 20 mm deep recessed surface, a polythene cutting board and a scraping hole on the front and a bowl.
- Heavy duty construction entirely in AISI 304 stainless steel to offer maximum durability.

### Optional Accessories

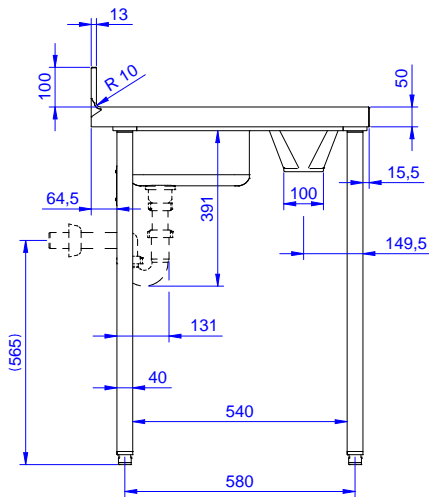
- Lower shelf for 1200mm for units PNC 855282
- Set of 4 wheels (2 with brake) d. 100mm for cupboards PNC 855288
- 3-sided underframe for 1200mm tables PNC 855290
- Elbow operated mixer tap with spout, 3/4" single hole PNC 855322
- Elbow operated mixer tap short spout, 3/4" single hole PNC 855323
- Foot operated Mixer tap with spout & with hot&cold pedals, 3/4" PNC 855328

APPROVAL: \_\_\_\_\_

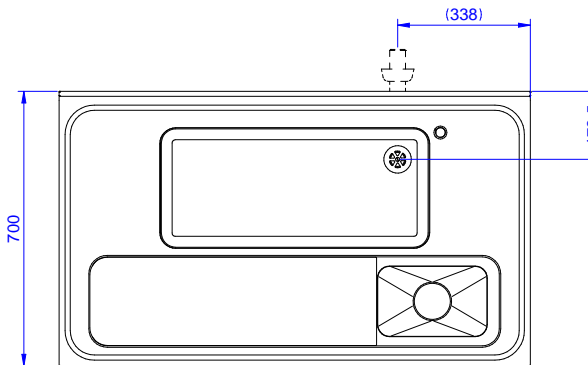
**Front**



**Side**



**Top**



**Key Information:**

External dimensions, Width:	1200 mm
133068 (TLV1210PN)	
External dimensions, Depth:	700 mm
External dimensions, Height:	1000 mm
Upstand Dimensions, Height:	100 mm
Upstand Dimensions, Depth:	13 mm
Upstand Dimensions, Radius:	R=10
Worktop thickness:	50 mm
Net weight:	40 kg